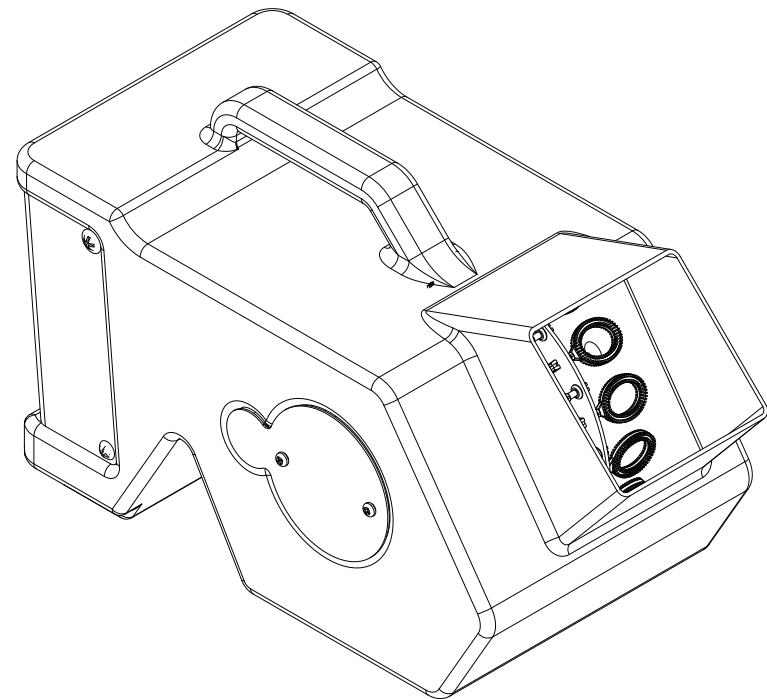




# BUBBLETRON GO



## Bubbletron Go

## Specifications

### MODEL: BUBBLETRON GO

VOLTAGE:	DC 12V 1000mA
POWER CONSUMPTION:	17W
DIMENSIONS:	13.75" x 7" x 8.25" 352 x 176 x 209mm
WEIGHT:	5Lbs. / 2.1 kgs
WORKING POSITION:	FLAT LEVEL POSITION
FLUID TANK:	1 LITER
FLUID CONSUMPTION RATE:	1 LITER. Every 50 Mins
BATTERY CHARGE TIME:	6 HOURS
BATTERY LIFE:	5 HOURS (FULL ON)
COOLING:	FAN COOLED
DUTY CYCLE:	NONE

**Please Note:** Specifications and improvements in the design of this unit and this manual are subject to change without any prior written notice.

ADJ Products, LLC  
6122 S. Eastern Ave. Los Angeles, CA 90040 USA  
Tel: 323-582-2650 / Fax: 323-725-6100  
Web: [www.adj.com](http://www.adj.com) / E-mail: [info@americandj.com](mailto:info@americandj.com)

A.D.J. Supply Europe B.V.  
Junostraat 2  
6468 EW Kerkrade  
The Netherlands

service@adjgroup.eu / [www.adj.eu](http://www.adj.eu)  
Tel: +31 45 546 85 00 / Fax: +31 45 546 85 99

Follow Us On:



[facebook.com/americandj](https://facebook.com/americandj)  
[twitter.com/americandj](https://twitter.com/americandj)  
[youtube.com/adjlighting](https://youtube.com/adjlighting)

## User Instructions

©2015 ADJ Products, LLC all rights reserved. Information, specifications, diagrams, images, and instructions herein are subject to change without notice. ADJ Products, LLC logo and identifying product names and numbers herein are trademarks of ADJ Products, LLC. Copyright protection claimed includes all forms and matters of copyrightable materials and information now allowed by statutory or judicial law or hereinafter granted. Product names used in this document may be trademarks or registered trademarks of their respective companies and are hereby acknowledged. All non-ADJ Products, LLC brands and product names are trademarks or registered trademarks of their respective companies.

**ADJ Products, LLC** and all affiliated companies hereby disclaim any and all liabilities for property, equipment, building, and electrical damages, injuries to any persons, and direct or indirect economic loss associated with the use or reliance of any information contained within this document, and/or as a result of the improper, unsafe, insufficient and negligent assembly, installation, rigging, and operation of this product.

Europe Energy Saving Notice  
Energy Saving Matters (EuP 2009/125/EC)  
Saving electric energy is a key to help protecting the environment. Please turn off all electrical products when they are not in use. To avoid power consumption in idle mode, disconnect all electrical equipment from power when not in use. Thank you!

**MANUFACTURER'S LIMITED WARRANTY**

- A. ADJ Products, LLC hereby warrants, to the original purchaser, ADJ Products, LLC products to be free of manufacturing defects in material and workmanship for a prescribed period from the date of purchase (see specific warranty period on reverse). This warranty shall be valid only if the product is purchased within the United States of America, including possessions and territories. It is the owner's responsibility to establish the date and place of purchase by acceptable evidence, at the time service is sought.
- B. For warranty service you must obtain a Return Authorization number (RA#) before sending back the product—please contact ADJ Products, LLC Service Department at 800-322-6337. Send the product only to the ADJ Products, LLC factory. All shipping charges must be pre-paid. If the requested repairs or service (including parts replacement) are within the terms of this warranty, ADJ Products, LLC will pay return shipping charges only to a designated point within the United States. If the entire instrument is sent, it must be shipped in its original package. No accessories should be shipped with the product. If any accessories are shipped with the product, ADJ Products, LLC shall have no liability whatsoever for loss of or damage to any such accessories, nor for the safe return thereof.
- C. This warranty is void if the serial number has been altered or removed; if the product is modified in any manner which ADJ Products, LLC concludes, after inspection, affects the reliability of the product; if the product has been repaired or serviced by anyone other than the ADJ Products, LLC factory unless prior written authorization was issued to purchaser by ADJ Products, LLC; if the product is damaged because not properly maintained as set forth in the instruction manual.
- D. This is not a service contract, and this warranty does not include maintenance, cleaning or periodic check up. During the period specified above, ADJ Products, LLC will replace defective parts at its expense with new or refurbished parts, and will absorb all expenses for warranty service and repair labor by reason of defects in material or workmanship. The sole responsibility of ADJ Products, LLC under this warranty shall be limited to the repair of the product, or replacement thereof, including parts, at the sole discretion of ADJ Products, LLC. All products covered by this warranty were manufactured after August 15, 2012, and bear indentifying marks to that effect.
- E. ADJ Products, LLC reserves the right to make changes in design and/or improvements upon its products without any obligation to include these changes in any products theretofore manufactured.

No warranty, whether expressed or implied, is given or made with respect to any accessory supplied with products described above. Except to the extent prohibited by applicable law, all implied warranties made by ADJ Products, LLC in connection with this product, including warranties of merchantability or fitness, are limited in duration to the warranty period set forth above. And no warranties, whether expressed or implied, including warranties of merchantability or fitness, shall apply to this product after said period has expired. The consumer's and/or Dealer's sole remedy shall be such repair or replacement as is expressly provided above; and under no circumstances shall ADJ Products, LLC be liable for any loss or damage, direct or consequential, arising out of the use of, or inability to use, this product.

This warranty is the only written warranty applicable to ADJ Products, LLC Products and supersedes all prior warranties and written descriptions of warranty terms and conditions heretofore published.

**MANUFACTURER'S LIMITED WARRANTY PERIODS:**

- **Lighting Products = 1-year (365 days) Limited Warranty** (Such as: Special Effect Lighting, Intelligent Lighting, UV lighting, Strobes, Fog Machines, Bubble Machines, Mirror Balls, Par Cans, Trussing, Lighting Stands etc. excluding LED and lamps)
- **Laser Products = 1 Year (365 Days) Limited Warranty** (excluding laser diodes which have a 6 month limited warranty)
- **L.E.D. Products = 2-year (730 days) Limited Warranty** (excluding motors, PCB boards, and power supplies, which have a 1-year (365 day Limited Warranty) batteries which have a 180 day limited warranty). Only the L.E.D.s carry a 2-year warranty (excluding StarTec Series which carries a 1 Year Limited Warranty)
- **ADJ DMX Controllers = 2 Year (730 Days) Limited Warranty** (excluding faders and tact switches)

**Filling the Tray Reservoir:**

1. Place the Bubbletron Go on a flat level surface.
2. The bubble juice tray is located in the front of the machine. Fill the tray, using premium American DJ® brand bubble juice. Make sure that you do not fill the tray above the designated fill line. Filling above the line will result in damage to the machine. After the usage, please empty the remaining juice to prevent damage as well.

**Operation:**

Once the tray has been filled, place the unit on flat level surface. Flip the power switch to the “ON” position and watch the bubbles come out by the hundreds. Be sure the unit remains in a level position to avoid accidental leaking.

**Remote Operation (Optional):**

The unit may be used with an *optional* on/off remote that can be used to power on the Bubbletron Go regardless of the setting of the units power switch.

*Remote Operation:*

1. Plug the remote control into the unit.
2. Push the power button on the remote to the “ON” position, main power will be indicated by a glowing red LED above the remote power button.

**Battery Recharge:**

It will take about 6 hours to reach full charge. To recharge the battery, plug the supplied power supply into the input on the rear of the unit and plug the other end into a matching power supply. A red LED on the the power supply will glow indicating that the unit is charging. When the unit reaches full charge a green LED will glow.

**Unpacking:**

Thank you for purchasing the Bubbletron Go by ADJ Products, LLC. Every Bubbletron Go has been thoroughly tested and has been shipped in perfect operating condition. Carefully check the shipping carton for damage that may have occurred during shipping. If the carton appears to be damaged, carefully inspect your fixture for any damage and be sure all accessories necessary to operate the unit have arrived intact. In the event damage has been found or parts are missing, please contact our toll free customer support number for further instructions. Please, do not return this unit to your dealer without first contacting customer support.

**Instructions:**

The Bubbletron Go is a portable battery powered bubble machine capable of creating hundreds of bubbles a minute. This unit comes with a wired On/Off remote control with a 25ft. cable. To optimize the performance of this product, please read these operating instructions carefully to familiarize yourself with the basic operations of this unit. Be sure you understand these instructions completely before attempting to operate this unit.

**Customer Support:**

ADJ provides a toll free customer support line, to provide set up and installation help and to answer any question should you encounter problems during your set up or initial operation. You may also visit us on the web at [www.adj.com](http://www.adj.com) for any comments or suggestions. Toll free customer service hours are Monday through Friday 8:00 a.m. to 4:30 p.m. Pacific Standard Time.

Voice: (800) 322-6337

Fax: (323) 582-2610

E-mail: [support@americandj.com](mailto:support@americandj.com)

To purchase parts online visit <http://part.americandj.com>

**Warning!** To prevent or reduce the risk of electrical shock or fire, do not expose this unit to rain or moisture.

**Caution!** There are no user serviceable parts inside this unit. Do not attempt to make any type of repair yourself without the manufactures consent, doing so will void your manufactures warranty. In the unlikely event your unit may require service please contact ADJ customer support for further instructions.

ADJ Products, LLC - [www.adj.com](http://www.adj.com) - Bubbletron Go Instruction Manual Page 2

## Bubbletron Go

## General Instructions

Please carefully read and understand the instructions in this manual thoroughly before attempting to operate this unit. These instructions contain important safety information regarding the use and maintenance of this unit. Please keep this manual with the unit, for future reference.

## Bubbletron Go

## Safety Precautions

- Keep the outside of this device dry at all times. Do not spill water or other liquids into or on to your unit. Be sure all bubble juice is kept inside the fluid tray! To prevent fire or shock hazard, do not expose this product to rain or moisture.
- Do not spill water or other liquids into or on to your unit
- Do not attempt to operate this unit if the power cord has been frayed or broken. Do not attempt to remove or break off the ground prong from the electrical cord. This prong is used to reduce the risk of electrical shock and fire in case of an internal short
- Disconnect from main power before making any type of connection
- Do not remove the cover under any conditions. There are no user serviceable parts inside
- Always be sure to mount this unit in an area that will allow proper ventilation. Allow about 6" (15cm) between this device and a wall
- Do not attempt to operate this unit, if it becomes damaged
- This unit is intended for indoor use only, use of this product outdoors voids all warranties
- During long periods of non-use, disconnect the unit's main power
- Always mount this unit in safe and stable matter
- Power cords should be routed so they are not likely to be walked on, pinched by items placed upon or against them.
- Heat -The appliance should be situated away from heat sources such as radiators, heat registers, stoves, or other appliances (including amplifiers) that produce heat.
- The fixture should be serviced by qualified service personnel when:
  - A. The power-supply cord or the plug has been damaged.
  - B. Objects have fallen, or liquid has been spilled into the unit.
  - C. The unit has been exposed to rain or water.
  - D. The appliance does not appear to operate normally or exhibits a marked change in performance.

## Bubbletron Go

## Features

- Battery Powered
- High velocity, high output fan
- Easy accessible front fluid tank
- High bubble output
- Low current draw
- Durable plastic casing
- Optional On/Off Remote Control

## Bubbletron Go

## Product Registration

The Bubbletron Go carries a one year (365 days) limited warranty. Please fill out the enclosed warranty card to validate your purchase. All returned service items whether under warranty or not, must be freight pre-paid and accompany a return authorization (R.A.) number. The R.A. number must be clearly written on the outside of the return package. A brief description of the problem as well as the R.A. number must also be written down on a piece of paper and included in the shipping container. If the unit is under warranty, you must provide a copy of your proof of purchase invoice. You may obtain a R.A. number by contacting customer support at (800) 322-6337.

## Bubbletron Go

## Battery Precautions

- Never charge batteries unattended. When charging batteries you should always remain in constant observation to react to any potential problems that may occur.
- If at any time you witness a battery starting to smoke, get hot, or abnormal smell, discontinue the charging process immediately. Disconnect the power supply and observe the unit in a safe place for approximately 15 minutes. The battery could end up leaking and the reaction with air may cause the chemicals to ignite, resulting in a fire.
- Never store or charge battery pack inside your car in extreme temperatures, since this could ignite a fire.
- Never transport or store battery pack in high temperature environment for a long time.